



7k-0266

## AL0918 Piston Pump Data

11.6 BHP Continuous Duty (13.8 BHP Intermittent Duty)



Specifications	
Pump Model	AL0918
Configuration	Horizontal Triplex Piston
Number of Pistons	3
Stroke Length	2.25 Inches (57.2 mm)
Frame Load Rating	2800 lbs. (1,270 kg)
Pump Weight	200 lbs. (90.7 kg)
Direction of Rotation	Top of Shaft away from head
Internal Gear Rotation	3.6:1
Intermittent Duty Speed Rating	890 RPM (Jackshaft)
Continuous Duty Speed Rating	750 RPM (Jackshaft)
Ball Valve Max Speed Rating	625 RPM
Minimum Speed	360 RPM
Mechanical Efficiency	85%
Lubrication System	Splash, Gravity Return
Lube Oil Capacity	2.25 Quarts
Lube Oil Type	SAE 30
Maximum Fluid Temperature	140 °F (250 °F Capability)
Minimum Fluid Temperature	0 °F (-20 °F Capability)
Standard Suction Size	1.50 Inch NPT (38.1 mm)
Standard Discharge Size	1.00 Inch NPT (25.4 mm)
Fluid End Material	Cast Iron
Valve Type	Disc Valve / Ball Valve
Hydraulic Motor Mount	SAE C - 4 Bolt with 1.25"-14T

### AL0918B Performance Rating

Diameter		Displacement/REV		Maximum Pressure		Pump Capacity @ Input Speed (RPM)									
						350 RPM		625 RPM		700 RPM		750 RPM		890 RPM	
Inch	mm	Gallon	Liter	PSI	kg/cm <sup>2</sup>	gpm	lpm	gpm	lpm	gpm	lpm	gpm	lpm	gpm	lpm
2.25	57.2	0.0323	0.122	700	49.2	11.3	43	20.2	76	22.6	86	24.2	92	28.7	109

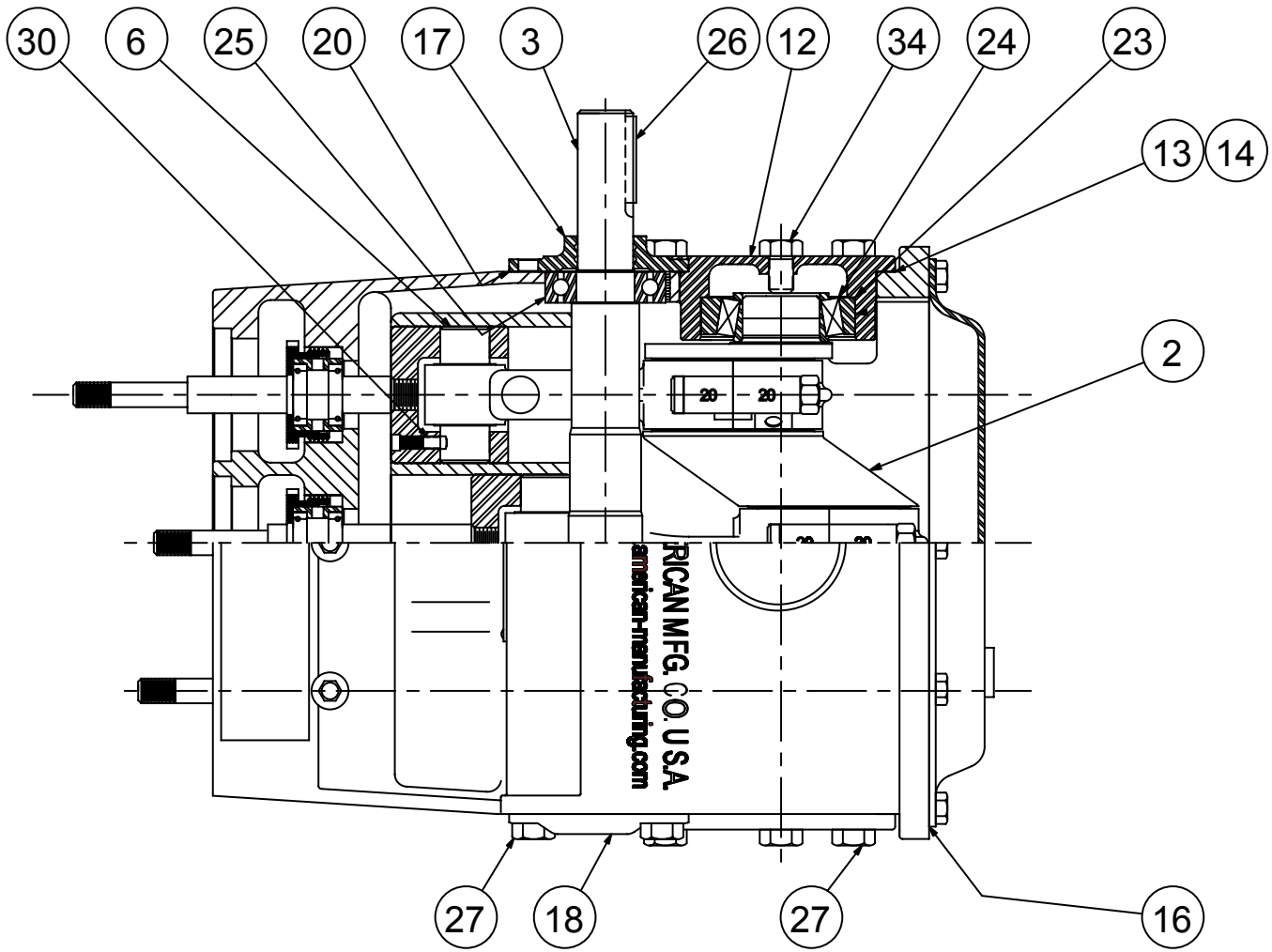
Specifications subject to change without notice.



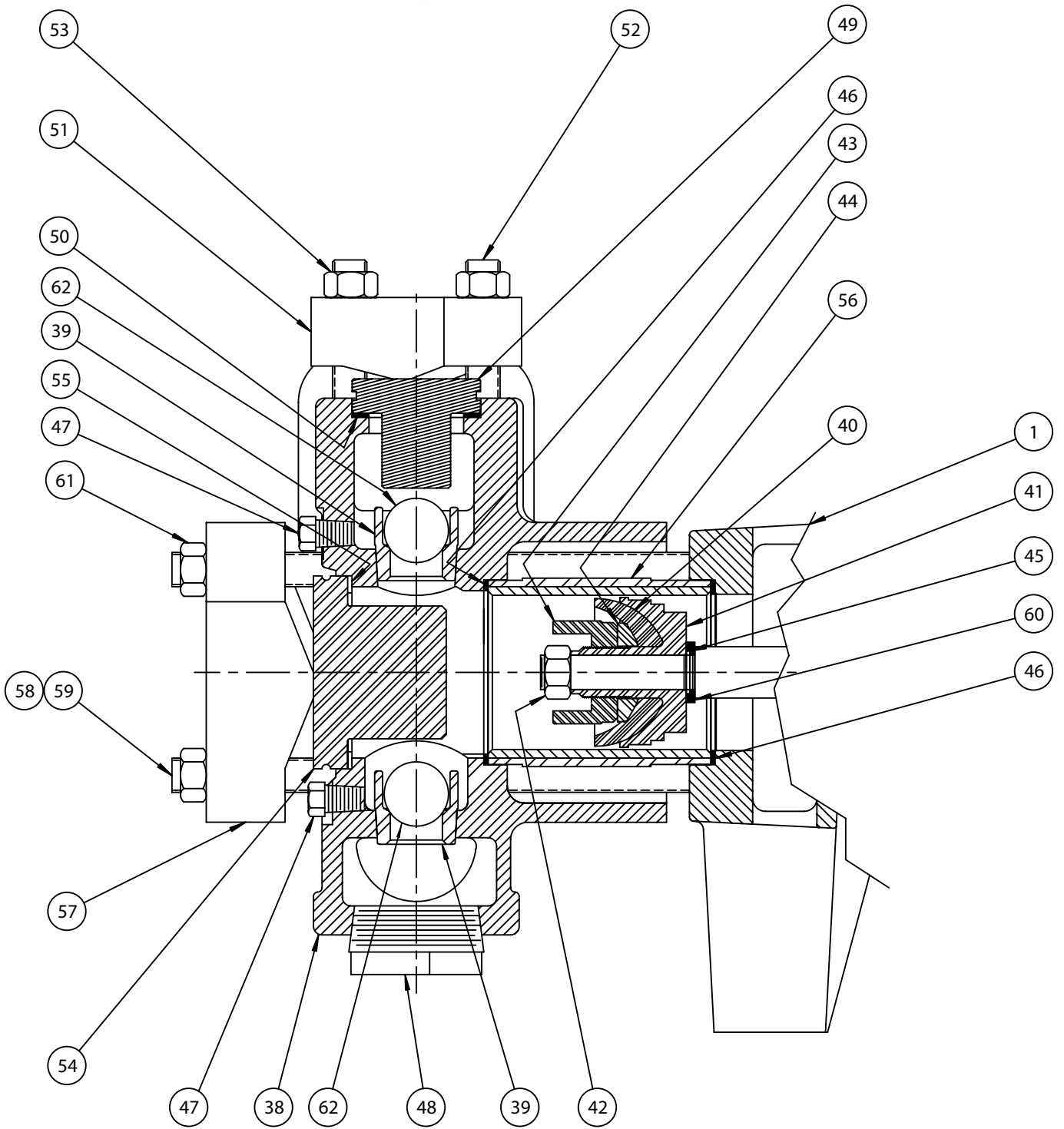
## AL0918B Component Item Numbers

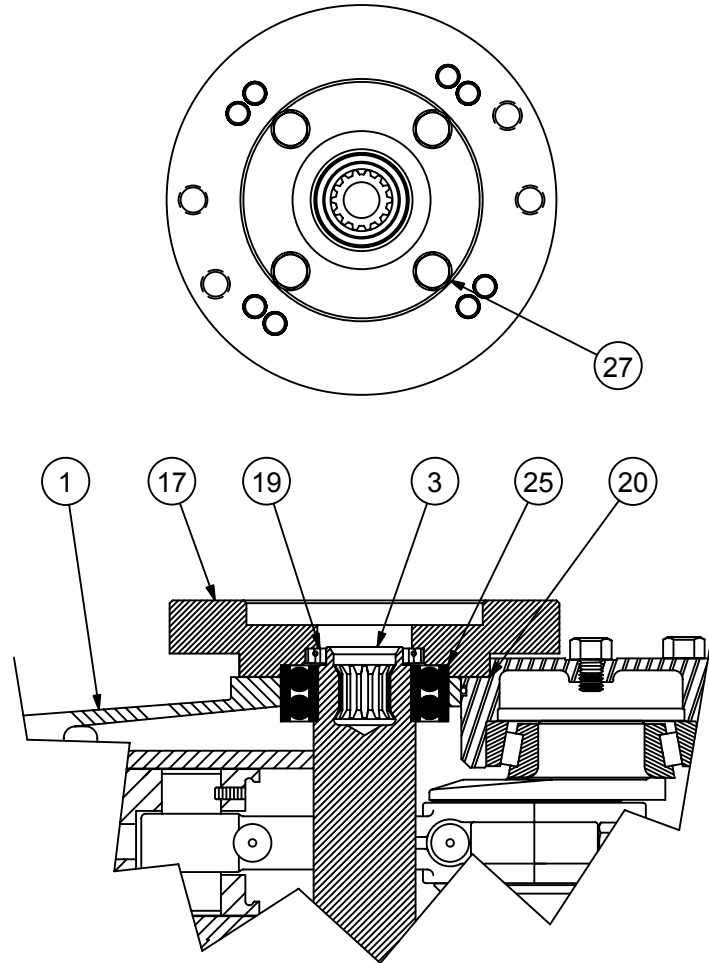
Item #	Component Description	Part #	Qty
1	Power Frame	PPFMC 5260537	1
2	Crankshaft	PPFMC 1279071	1
3	Pinion Shaft	PPFMC 1265098	1
4	Connecting Rod Assembly	PPFMC 18710	3
5	Rod Bearing	PPFMC P506697	3
6	Wrist Pin	PPFMC A5006	3
7	Crosshead Assembly	PPFMC 1250876	3
8	Seal Holder	PPFMC 1283601	3
9	Oil Seal, Piston Rod	PPFMC 1283603	6
10	Seal Retainer Nut	PPFMC 1283600	3
11	Gasket, Seal Retainer	PPFMC 1283602	3
12	Bearing Housing, Blind	PPFMC 1279064	2
13	Shim, Bearing Housing	PPFMC 1257594	5
14	Gasket, Bearing Housing	PPFMC A5025	2
15	Back Cover	PPFMC 1279063	1
16	Gasket, Back Cover	PPFMC 1279065	1
17	Pinion Housing, Drive	PPFMC A5005	1
18	Pinion Housing, Blind	PPFMC 1225769	1
19	Petcock	PPFMC 1187039	1
20	Gasket, Pinion	PPFMC A5026	2
21	Nameplate	PPFMC 5277981	1
22	Lube Fitting	PPFMC 1100759	3
23	Bearing Cone, Crank	PPFMC 1101242	2
24	Bearing Cup, Crank	PPFMC 1177287	2
25	Bearing, Pinion	PPFMC 1104444	2
26	Key	PPFMC 1187577	1
27	Cap screw, Pinion Bearing	PPFMC 1100068	12
28	Screw	PPFMC 1187413	2
29	Cap Screw, Back Cover	PPFMC 1106910	14
30	Set Screw	PPFMC 1103470	3

Item #	Component Description	Part #	Qty
31	Plate, Inspection	PPFMC 1214260	1
32	Pipe Plug, Power End	PPFMC 1187048	2
33	Filler Cap or Vent	PPFMC A5054	1
34	Screw	PPFMC 1106980	2
38	Fluid Chamber	PPFMC 1255266	1
39	Valve Seat	PPFMC 1225327	6
40	Piston Cup	PPFMC A3434N	3
41	Piston Holder	PPFMC 8495	3
42	Hex Nut	PPFMC 8309	3
43	Nut Retainer	PPFMC A5016	3
44	Piston Retainer	PPFMC 1207289	3
45	O-Ring, Rod Seal	PPFMC 1101176	3
46	Gasket, Fluid Chamber	PPFMC 1280024	6
47	Plug, Pipe	PPFMC P501267	6
48	Plug, Suction	PPFMC 1105105	2
49	Valve Cover	PPFMC A5003	3
50	Gasket, Valve Cover	PPFMC 1280026	3
51	Clamp, Valve Cover	PPFMC 1271716	3
52	Stud, Valve Cover	PPFMC A5012	6
53	Hex Nut, Valve Cover	PPFMC 1121511	14
54	Cylinder Cover	PPFMC A5002	3
55	Gasket, Cylinder Cover	PPFMC 1280025	3
56	Cylinder	PPFMC 1272060	3
57	Clamp, Cylinder	PPFMC 1271415	3
58	Stud, Cylinder Cover	PPFMC A5011	6
59	Stud	PPFMC A5009	2
60	Seal Holder	PPFMC 1281655	3
61	Hex, Nut, Cylinder	PPFMC 1121511	8
62	Ball	PPFMC 1187738	6









Item #	Component Description	Part #	Qty
1	Power Frame	PPFMC	1
3	Pinion Shaft Splined	PPFMC	1
17	Motor Mounting Plate	PPFMC 3269351	1
19	Oil Seal	PPFMC 3269370	1
20	Gasket	PPFMC 3269398	2
25	Bearing	PPFMC 3269369	2
27	Screw	PPFMC 3268086	4