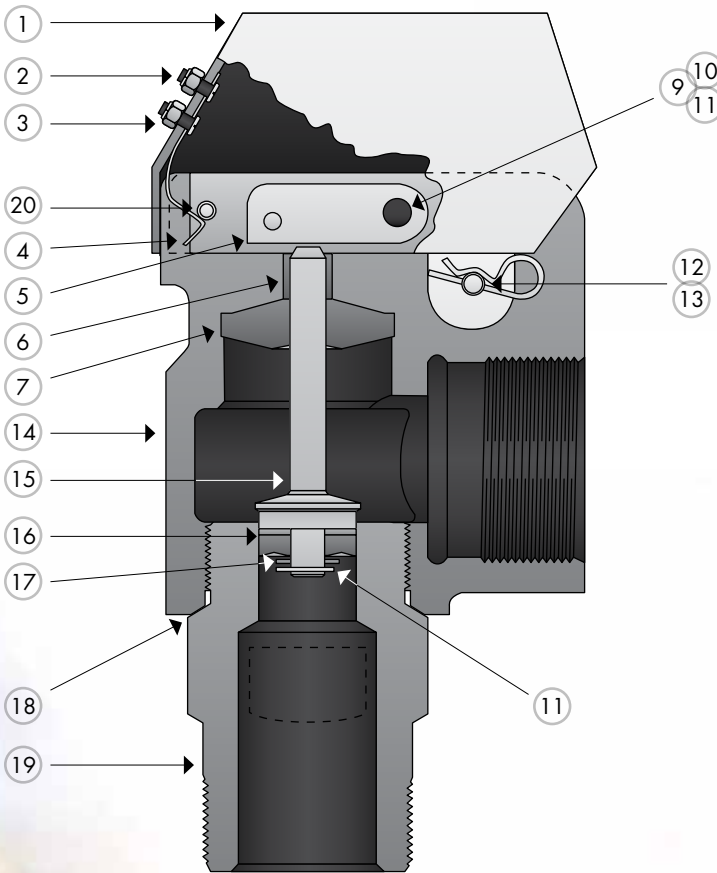




## 3" American Shear Relief Valve



Parts List			
Ref. No.	Qty.	Description & Material	Pressure (5,000 psig)
1	1	Cover Aluminum	RPDC 2937
	1	Latch Spring Kit (Items 2, 3 & 4)	RPDC 1720
2	2	Screw 18-8 SST	
3	2	Hex Nut 18-8 SST	
4	1	Leaf Spring SAE 1060	
5	1	Shear Bar A564 Type 630	RPDC 17067
6	1	Stem Bushing A438-70-Gr1	RPDC 17028
7	1	Cushion Ring Buna-N	RPDC 2939
8	1	Shear Pin Kit SAE 1020	RPDC 2955 (10 of each size)
		Size	#30 #40
		Part Number (color)	30 (black) 40 (yellow)
		RPDC 2955-__ (p/n)	#50 #60
			50 (silver) 60 (copper)
9	1	Pin, Shear Bar AISI 4140	RPDC 5418-37527
10	1	Washer SAE 1020	(Included with item 9)
11	2	Cotter Pin 18-8 SST	RPDC 5421-09312
12	1	Pin, Cover	RPDC 2093
13	1	Hair Pin SAE 1060	(Included with item 12)
14	1	Body A216 WCB	RPDC 2938
15	1	Piston A564 Type 630	RPDC 1622
16	1	Seal, Piston Buna-N	RPDC 1242
17	1	Washer SAE 1020	RPDC 58840191913
18	1	Gasket, Sub Copper	RPDC 2954
19	1	Sub AISI 4130	RPDC 2953-002
	1	Sub A564 Type 630	RPDC 2953-003
20	1	Spring Pin SAE 1060	RPDC 544525021
21	1	Caution Tag Aluminum	Contact us
22	1	Service Tag Aluminum	Contact us
23	1	Pin Gauge Tag Aluminum	Contact us
24	6	Drive Screw 18-8 SST	Contact us