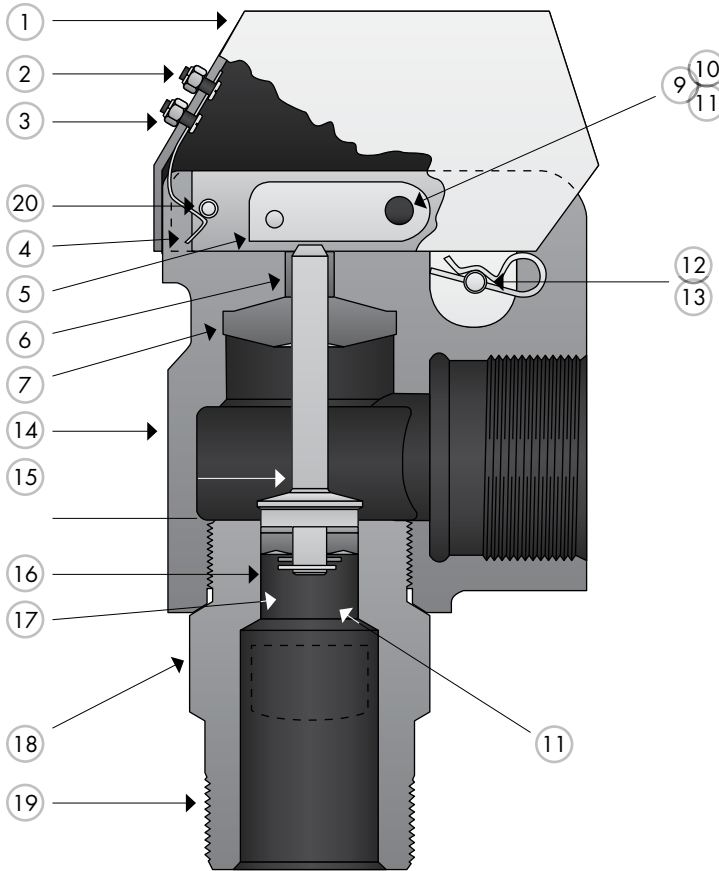




American 3" Shear Relief Valve



Parts List			
Ref. No.	Qty.	Description & Material	Pressure (5,000 psig)
1	1	Cover Aluminum	RPDC 2937
	1	Latch Spring Kit (Items 2, 3 & 4)	RPDC 1720
2	2	Screw 18-8 SST	
3	2	Hex Nut 18-8 SST	
4	1	Leaf Spring SAE 1060	
5	1	Shear Bar A564 Type 630	RPDC 17067
6	1	Stem Bushing A438-70-Gr1	RPDC 17028
7	1	Cushion Ring Buna-N	RPDC 2939
8	1	Shear Pin Kit SAE 1020	RPDC 2955 (10 of each size)
		Size	#30 #40
		Part Number (color)	30 (black) 40 (yellow)
		RPDC 2955-__ (p/n)	#50 #60
			50 (silver) 60 (copper)
9	1	Pin, Shear Bar AISI 4140	RPDC 5418-37527
10	1	Washer SAE 1020	(Included with item 9)
11	2	Cotter Pin 18-8 SST	RPDC 5421-09312
12	1	Pin, Cover	RPDC 2093
13	1	Hair Pin SAE 1060	(Included with item 12)
14	1	Body A216 WCB	RPDC 2938
15	1	Piston A564 Type 630	RPDC 1622
16	1	Seal, Piston Buna-N	RPDC 1242
17	1	Washer SAE 1020	RPDC 58840191913
18	1	Gasket, Sub Copper	RPDC 2954
19	1	Sub AISI 4130	RPDC 2953-002
	1	Sub A564 Type 630	RPDC 2953-003
20	1	Spring Pin SAE 1060	RPDC 544525021
21	1	Caution Tag Aluminum	Contact us
22	1	Service Tag Aluminum	Contact us
23	1	Pin Gauge Tag Aluminum	Contact us
24	6	Drive Screw 18-8 SST	Contact us

Specifications subject to change without notice.

Horsepower is based on 85 or 90% efficiency. Actual application horsepower requirements can be calculated using this equation: $BHP = (GPM \cdot PSI) / (1714 \cdot 0.85 \text{ or } 0.90)$ Pump capacities listed are based on 100% volumetric efficiency.

This document contains American Mfg Company proprietary and confidential information. It is loaned for limited purposes only and remains the property of American Mfg Company. It may not be reproduced in whole or part or disclosed to third parties without the prior written consent of American Mfg Company. The document is to be returned to American Mfg Company upon request and in all events upon completion of the use for which it was used.

