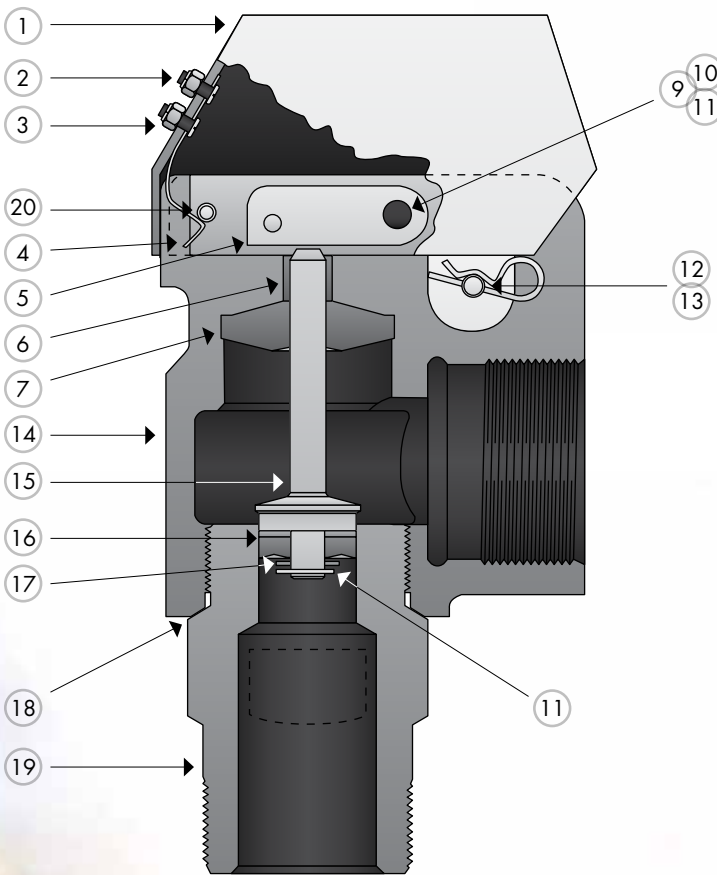




## 3" Retsco Shear Relief Valve



Parts List			
Ref. No.	Qty.	Description & Material	Pressure (5,000 psig)
1	1	Cover Aluminum	RPDC 2937
	1	Latch Spring Kit (Items 2, 3 & 4)	RPDC 1720
2	2	Screw 18-8 SST	
3	2	Hex Nut 18-8 SST	
4	1	Leaf Spring SAE 1060	
5	1	Shear Bar A564 Type 630	RPDC 17067
6	1	Stem Bushing A438-70-Gr1	RPDC 17028
7	1	Cushion Ring Buna-N	RPDC 2939
8	1	Shear Pin Kit SAE 1020	RPDC 17460 (10 of each size)
		Size Part Number (color)	#30 30 (black) #40 40 (yellow)
		RPDC 17460-__ (p/n)	#50 50 (silver) #60 60 (copper)
9	1	Pin, Shear Bar AISI 4140	RPDC 5418-37527
10	1	Washer SAE 1020	(Included with item 9)
11	2	Cotter Pin 18-8 SST	RPDC 5421-09312
12	1	Pin, Cover	RPDC 2093
13	1	Hair Pin SAE 1060	(Included with item 12)
14	1	Body A216 WCB	RPDC 17066
15	1	Piston A564 Type 630	RPDC 1622
16	1	Seal, Piston Buna-N	RPDC 1242
17	1	Washer SAE 1020	RPDC 5884-0191913
18	1	Gasket, Sub Copper	RPDC 2954
19	1	Sub AISI 4130	RPDC 2953-002
	1	Sub A564 Type 630	RPDC 2953-003
20	1	Spring Pin SAE 1060	RPDC 20712-04
21	1	Caution Tag Aluminum	RPDC 9723
22	1	Service Tag Aluminum	RPDC 2404-50232T
23	1	Pin Gauge Tag Aluminum	RPDC 6543PG
24	6	Drive Screw 18-8 SST	RPDC 111656